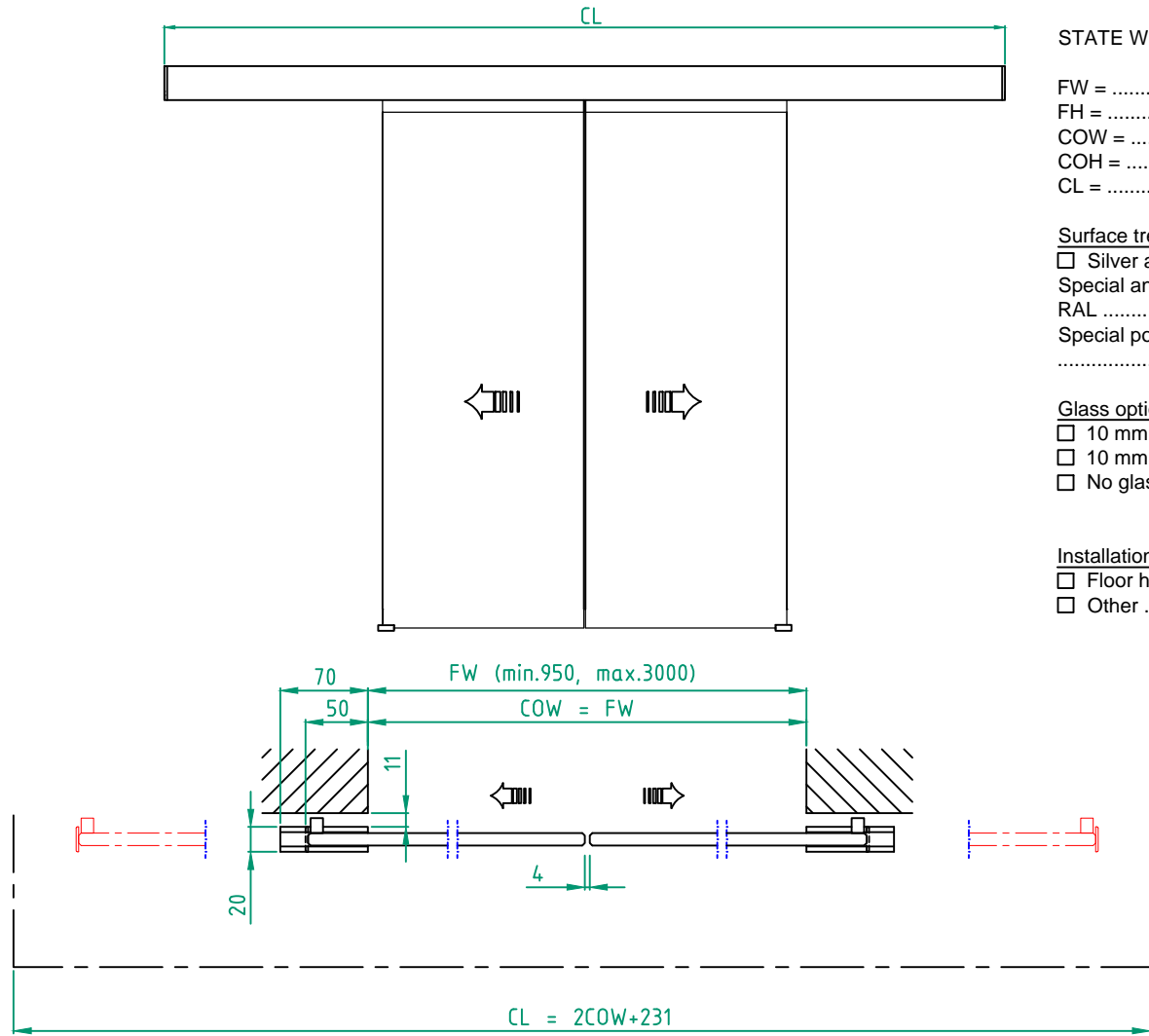
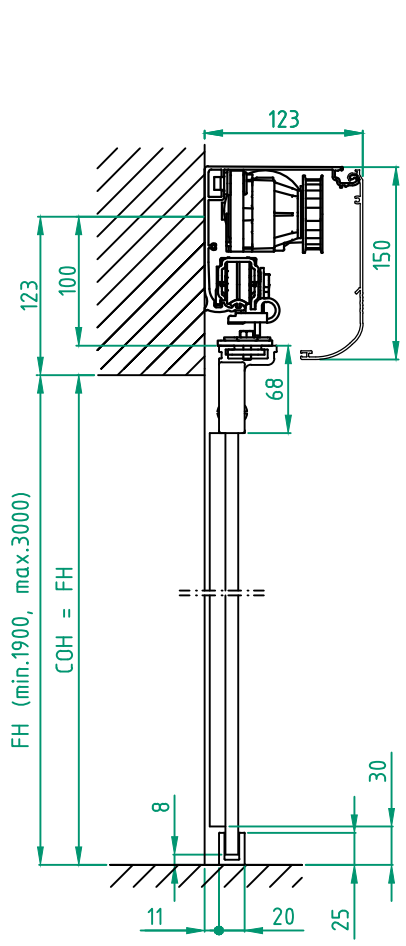


© All rights in and to this material are the sole property of Entrematic AB. Copying, scanning, alterations or modifications are expressly forbidden without the prior written consent of Entrematic AB. Rights reserved for changes without prior notice.



STATE WHEN ORDERING

- FW = mm
- FH = mm
- COW = mm
- COH = mm
- CL = mm

Surface treatment

- Silver anodized
- Special anodized
- RAL
- Special powder coating
-

Glass options:

- 10 mm tempered glass
- 10 mm laminated glass
- No glass

Installation

- Floor heating
- Other

Customer: _____

Door id: _____

Project No: _____

Ref: _____

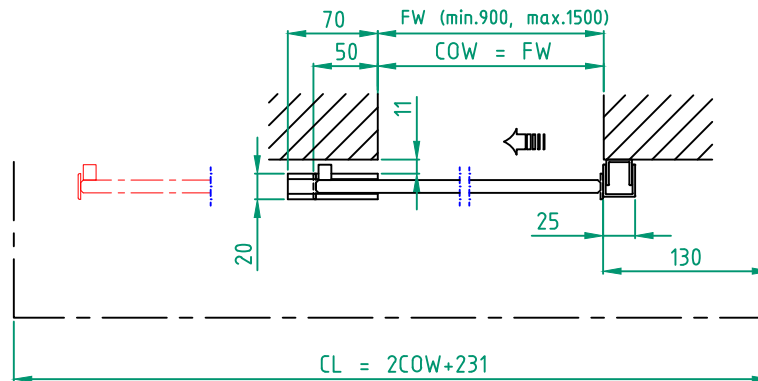
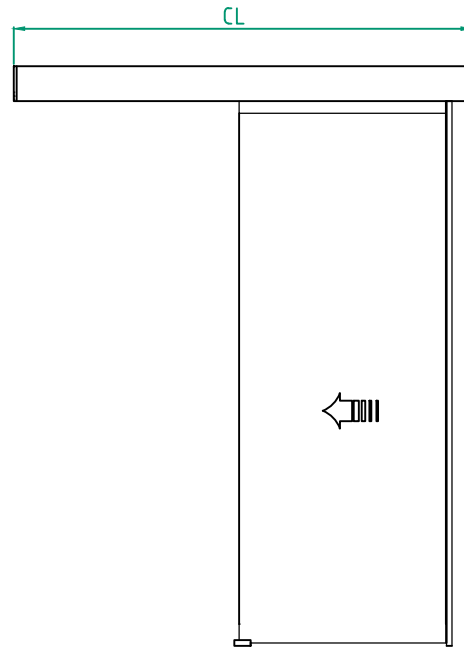
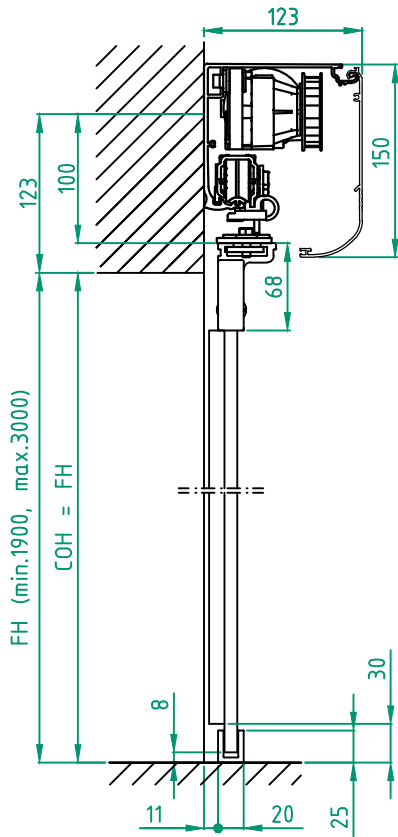
Date: _____

Sign: _____

Profile system
EM PS-TR 2 Panel wall mounted bipart
EM PSL150

ENTRE MATIC

5.0 1009396-EME1



STATE WHEN ORDERING

FW = mm
 FH = mm
 COW = mm
 COH = mm
 CL = mm

Surface treatment

- Silver anodized
- Special anodized
- RAL
- Special powder coating
-

Glass options:

- 10 mm tempered glass
- 10 mm laminated glass
- No glass

Installation

- Floor heating
- Other

Customer: _____

Door id: _____

Project No: _____

Ref: _____

Date: _____

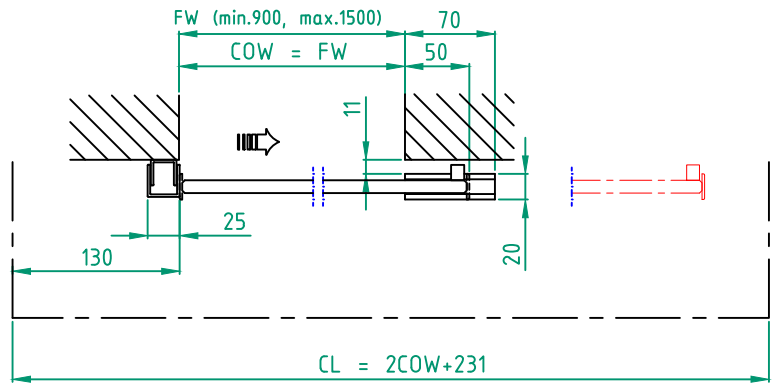
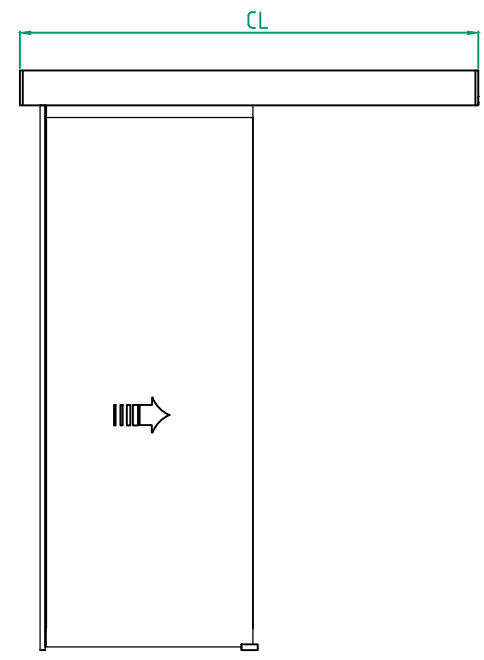
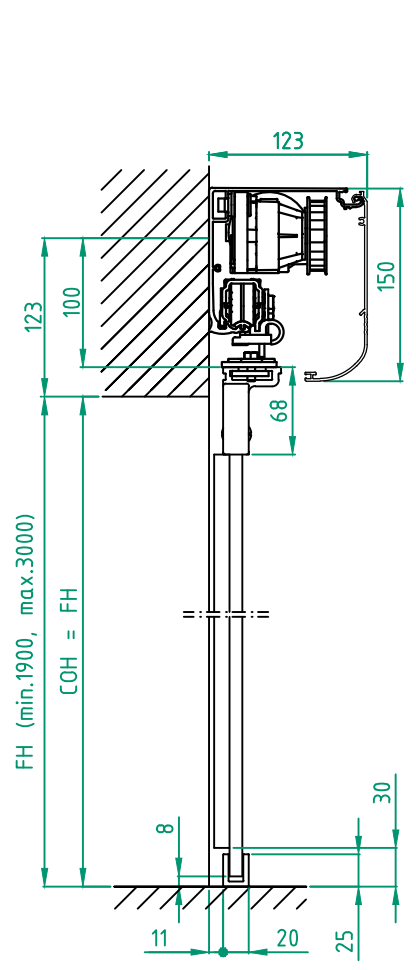
Sign: _____

Profile system
 EM PS-TR 1 Panel wall mounted opening left
 EM PSL150

ENTREMATIC

5.0 1009396-EME1

© All rights in and to this material are the sole property of Entrematic AB. Copying, scanning, alterations or modifications are expressly forbidden without the prior written consent of Entrematic AB. Rights reserved for changes without prior notice.



STATE WHEN ORDERING

- FW = mm
- FH = mm
- COW = mm
- COH = mm
- CL = mm

Surface treatment

- Silver anodized
- Special anodized
- RAL
- Special powder coating
-

Glass options:

- 10 mm tempered glass
- 10 mm laminated glass
- No glass

Installation

- Floor heating
- Other

Customer:

Ref:

Door id:

Date:

Project No:

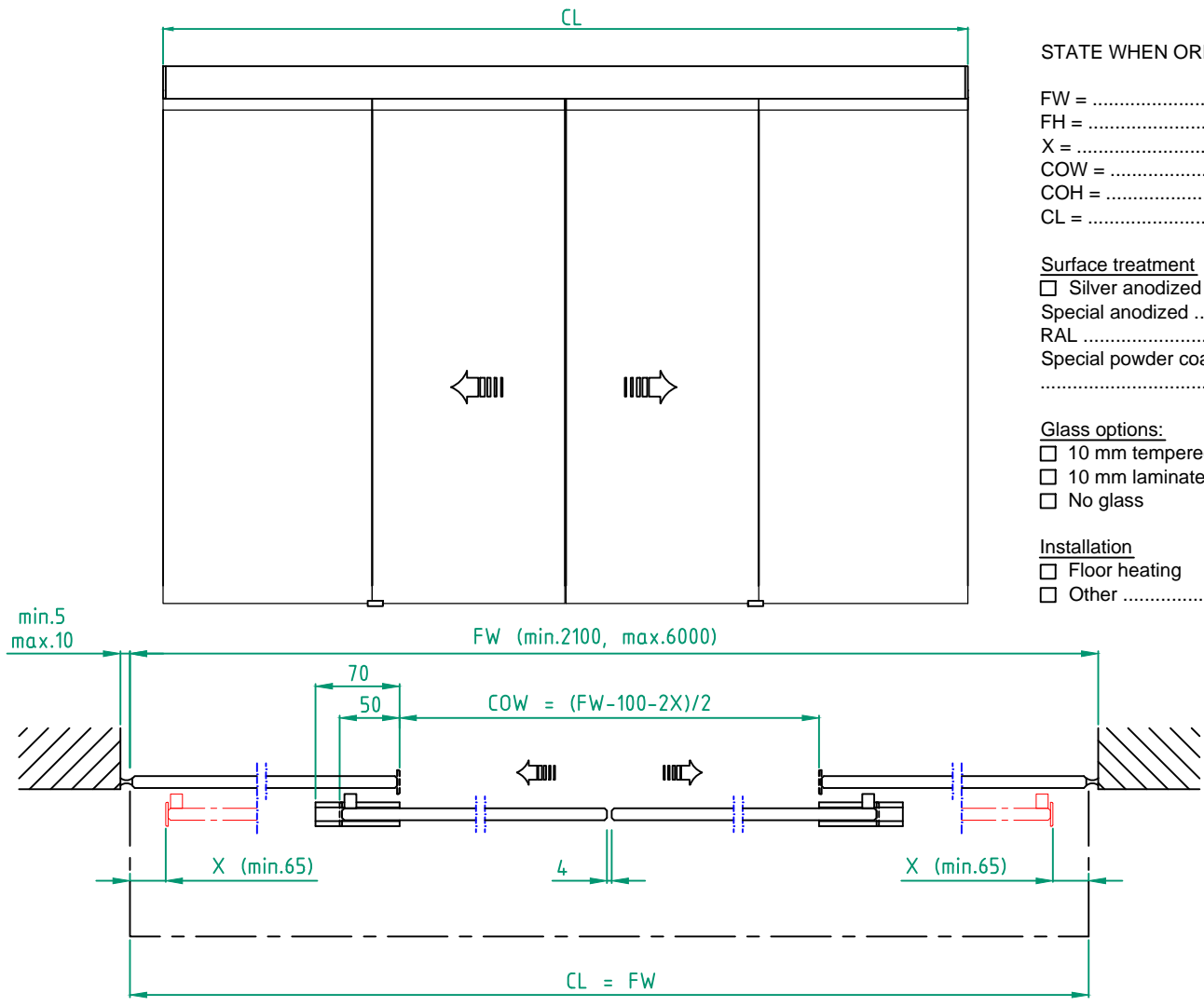
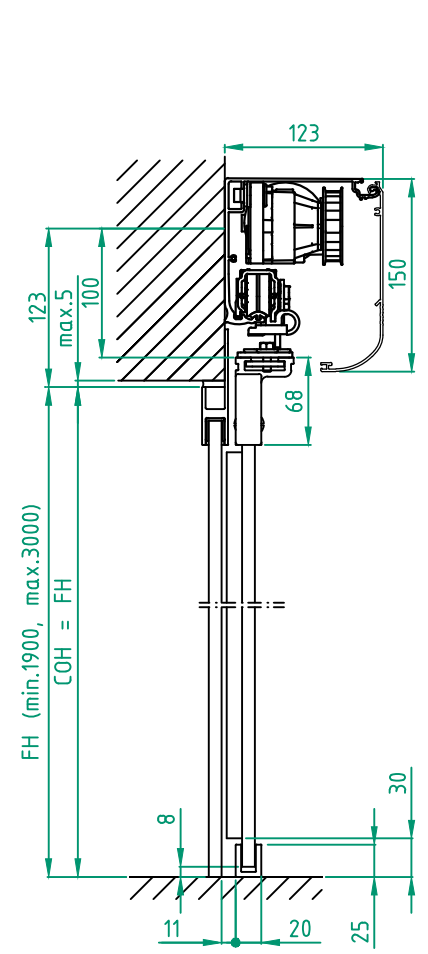
Sign:

Profile system
EM PS-TR 1 Panel wall mounted opening right
EM PSL150



5.0 1009396-EMEI

© All rights in and to this material are the sole property of Entrematic AB. Copying, scanning, alterations or modifications are expressly forbidden without the prior written consent of Entrematic AB. Rights reserved for changes without prior notice.



STATE WHEN ORDERING

- FW = mm
- FH = mm
- X = mm
- COW = mm
- COH = mm
- CL = mm

Surface treatment

- Silver anodized
- Special anodized
- RAL
- Special powder coating
-

Glass options:

- 10 mm tempered glass
- 10 mm laminated glass
- No glass

Installation

- Floor heating
- Other

Customer: _____

Door id: _____

Project No: _____

Ref: _____

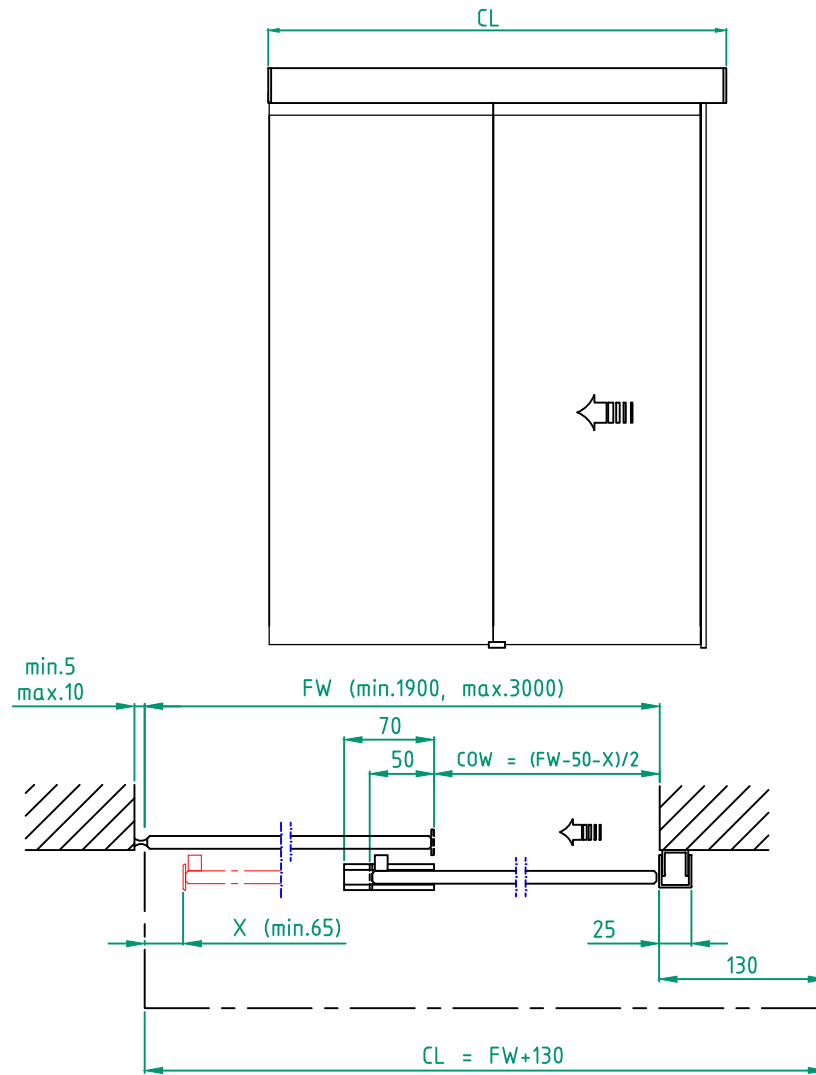
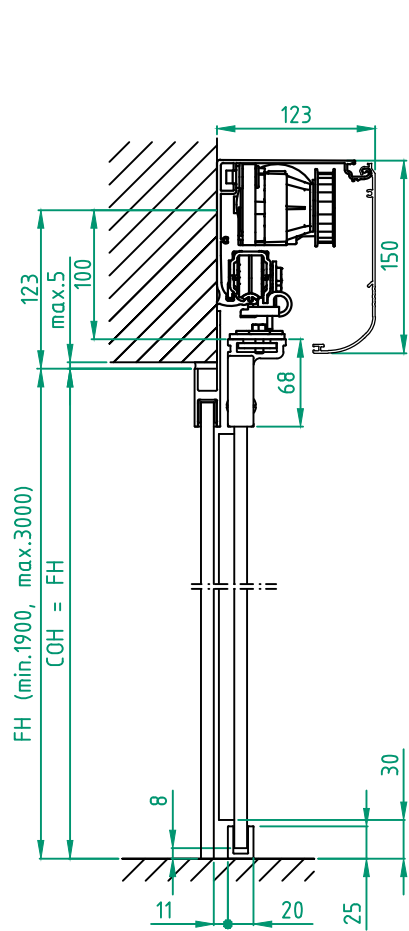
Date: _____

Sign: _____

Profile system
 EM PS-TR 4 Panel wall mounted bipart
 EM PSL150

ENTREMATIC

5.0 1009396-EME1



STATE WHEN ORDERING

- FW = mm
- FH = mm
- X = mm
- COW = mm
- COH = mm
- CL = mm

Surface treatment

- Silver anodized
- Special anodized
- RAL
- Special powder coating
-

Glass options:

- 10 mm tempered glass
- 10 mm laminated glass
- No glass

Installation

- Floor heating
- Other

Customer: _____

Door id: _____

Project No: _____

Ref: _____

Date: _____

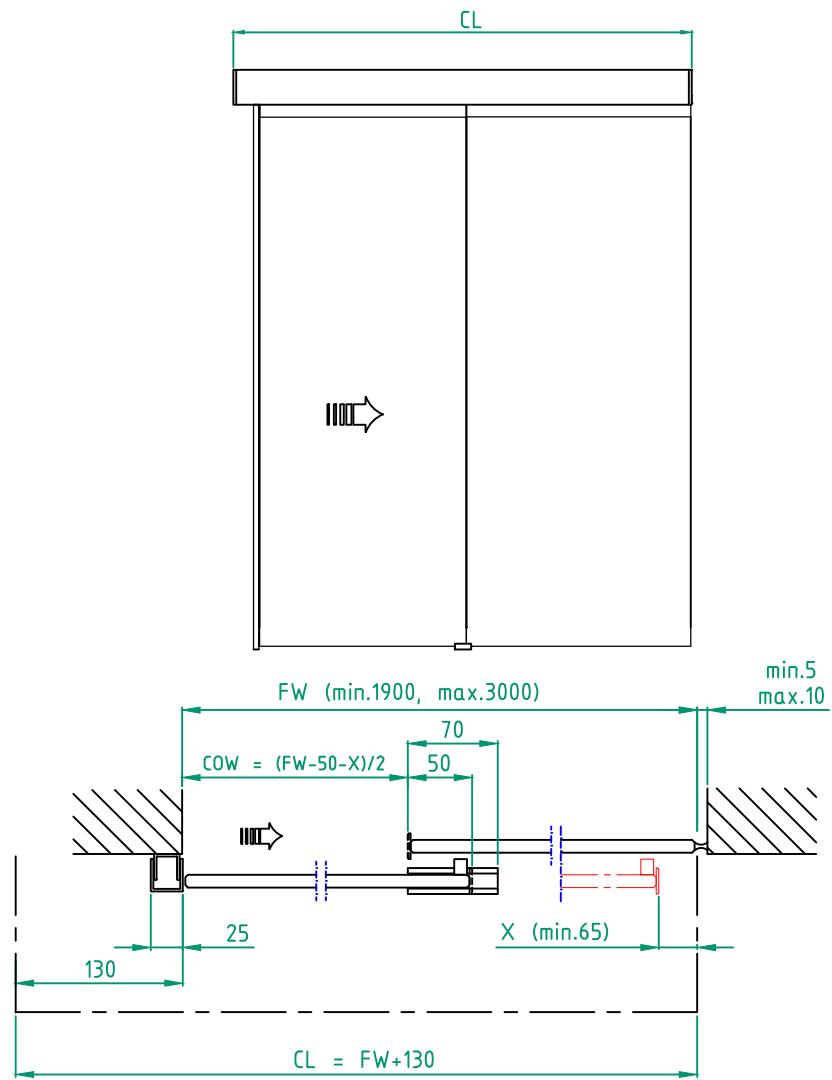
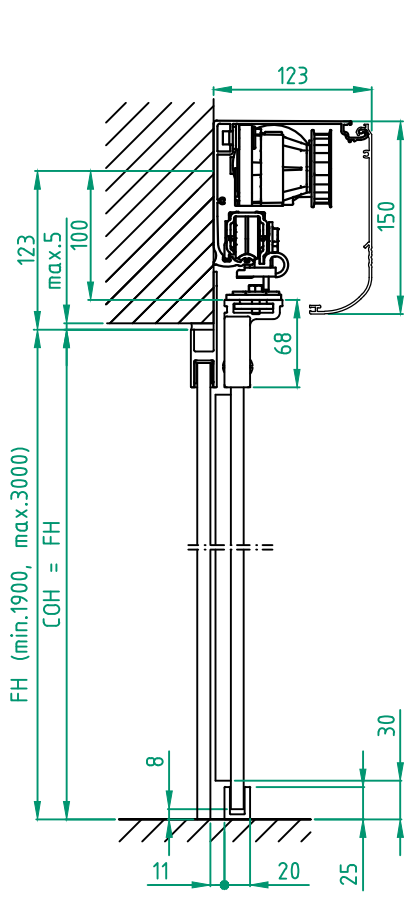
Sign: _____

Profile system
EM PS-TR 2 Panel wall mounted opening left
EM PSL150

ENTRE MATIC

5.0 1009396-EME1

© All rights in and to this material are the sole property of Entrematic AB. Copying, scanning, alterations or modifications are expressly forbidden without the prior written consent of Entrematic AB. Rights reserved for changes without prior notice.



STATE WHEN ORDERING

- FW = mm
- FH = mm
- X = mm
- COW = mm
- COH = mm
- CL = mm

Surface treatment

- Silver anodized
- Special anodized
- RAL
- Special powder coating
-

Glass options:

- 10 mm tempered glass
- 10 mm laminated glass
- No glass

Installation

- Floor heating
- Other

Customer: _____

Door id: _____

Project No: _____

Ref: _____

Date: _____

Sign: _____

Profile system
 EM PS-TR 2 Panel wall mounted opening right
 EM PSL150

ENTRE MATIC

5.0 1009396-EME1