

Vertical lifting fabric door

ASSA ABLOY VL3110FCS Megadoor

ASSA ABLOY

ASSA ABLOY Entrance Systems

The global leader in
door opening solutions



Frequency controlled vertical lifting fabric door

The ASSA ABLOY VL3110FCS Megadoor vertical lifting fabric door delivers rapid performance in tough industrial environments. It's an ideal choice for speed, but also for protection against wind, moisture and more.

The unique design and structure offers durability, tightness, energy efficiency, operational reliability and minimum maintenance. Every door is individually designed to meet application requirements, for example high wind load.

The main advantages of the unique ASSA ABLOY VL3110FCS Megadoor are:

- Durable vertical lifting fabric construction
- Frequency control for fast operation with soft starts/stops
- Opening speeds up to 1,5 m/s
- Tight sealing and high IP rating
- Tolerance of high wind loads
- Excellent insulation and temperature resistance
- Safety arrestors to prevent free fall
- Aesthetic and customisable appearance
- High operating reliability and low maintenance costs

Fast opening and closing

- By using a frequency converter, the ASSA ABLOY VL3110FCS Megadoor has an increased opening and closing speed: up to 1,5 m/s to open and up to 0,35 m/s to close.

Resistant to damage

- Thanks to the flexible design, minor collisions do not cause permanent damage.
- There are no hinges, springs, cables or couplings that can be damaged if anything collides with the door.

Withstands high wind loads

- By designing the door leaf with a suitable number and type of intermediate beams, the ASSA ABLOY vertical lifting fabric door is made to withstand high wind loads.

Extreme weather has no influence

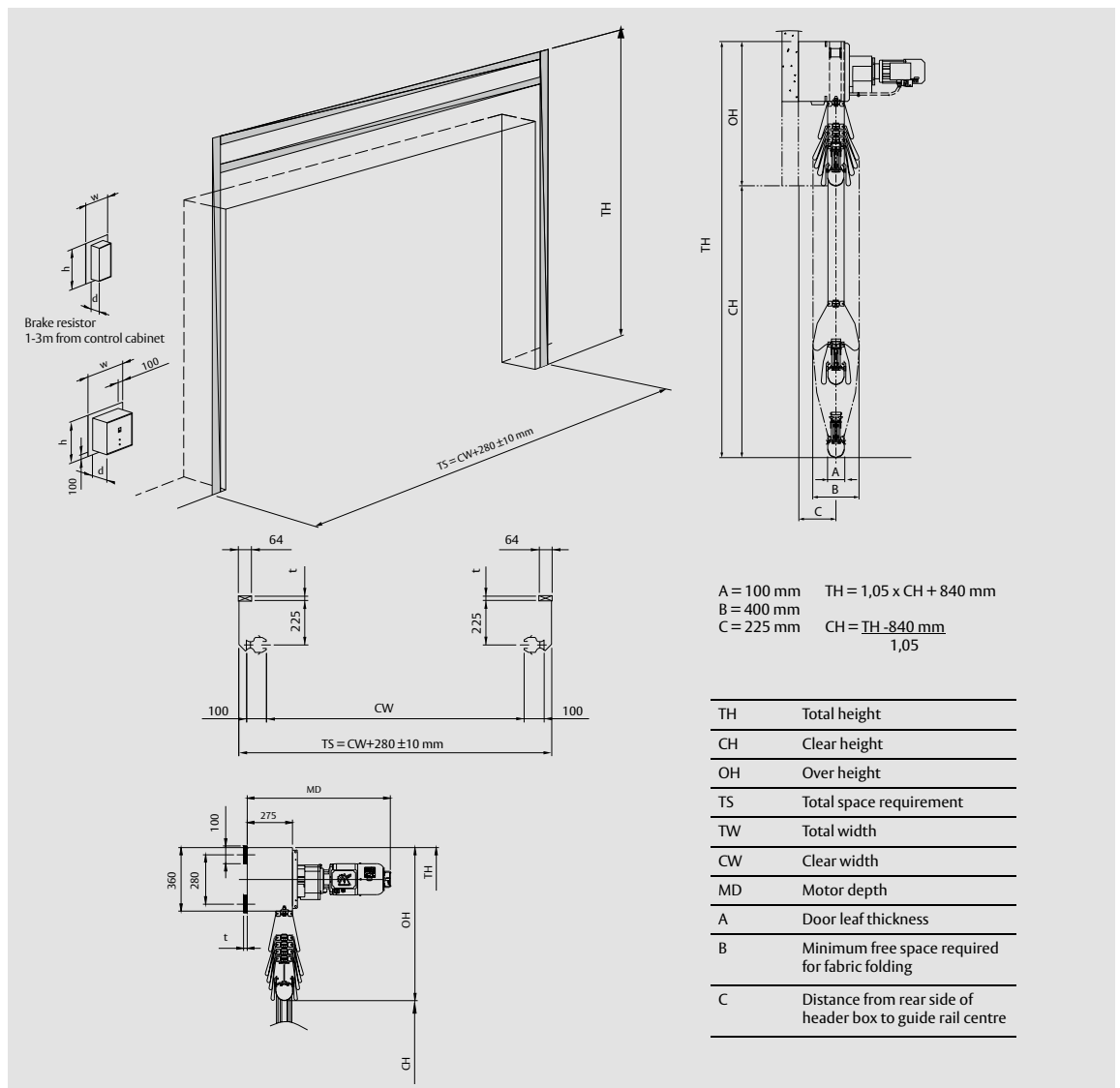
- The ASSA ABLOY vertical lifting fabric door is made of highly durable materials that easily cope with temperatures from -35°C to 70°C.
- The reinforced, UV-resistant, flame-resistant door fabric is protected against mildew and rot.

Technical Data

Max size (W x H) ¹	6000 x 6000 mm
Door leaf thickness	100 mm
Guide rails material	aluminium
Vision panels	optional
Wind load resistance (differential pressure)	0.7-1.6 kPa depending on size (class 3-5, EN 12424)
Sound reduction (standard)	15 dB Rw (ISO 717)
Water resistance, EN 12425	class 3
Air permeability, EN 12426	class 2
Thermal transmittance, EN 12428	depending on door size, specific data on request
Opening speed	up to 1,5 m/s
Closing speed	up to 0,3 m/s
Operating environment temperature range	-35°C to +70°C

1) Other sizes may be available on request

Dimensional specifications



Options



Vision Panels

Vision panels (windows) are available for the standard and arctic fabrics to improve light admission and visibility through the door leaf. The vision panels are available in four different sizes.



Arctic Fabric

The arctic fabric replaces the standard fabric in environments where the temperature can be as low as -54°C.



Sound-reduction Fabric

The sound-reduction fabric is for use in environments where the transmission of sound through the door must be reduced. It is installed on both sides of the door leaf.



Insulation

The insulated fabric is for use in environments where thermal loss is important. It is installed on both sides of the door leaf behind the standard fabric.



Security Fabric

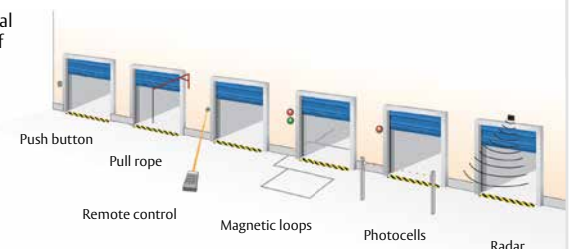
The security fabric is for use in environments where security is important. It is similar to the standard fabric with the addition of galvanized steel wires inside the fabric. It is installed on both sides of the door leaf behind the standard fabric.



Heat-resistant Fabric

The heat-resistant fabric replaces the standard fabric on the inside of the door leaf when there is a requirement to contain heat and/or chemical hazards. It is available with three different coatings dependant on the environment where it is going to be used.

Access and automation



Standard available colours



Beige
RAL 1001



Signal red
RAL 3001



Fir green
RAL 6009



Anthracite grey
RAL 7016



Traffic white
RAL 9016



Signal yellow
RAL 1003



Signal blue
RAL 5005



Signal grey
RAL 7004



White Aluminium
RAL 9006



Translucent white