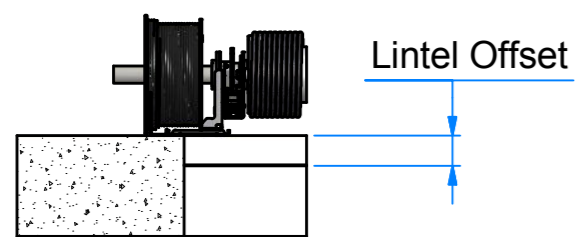
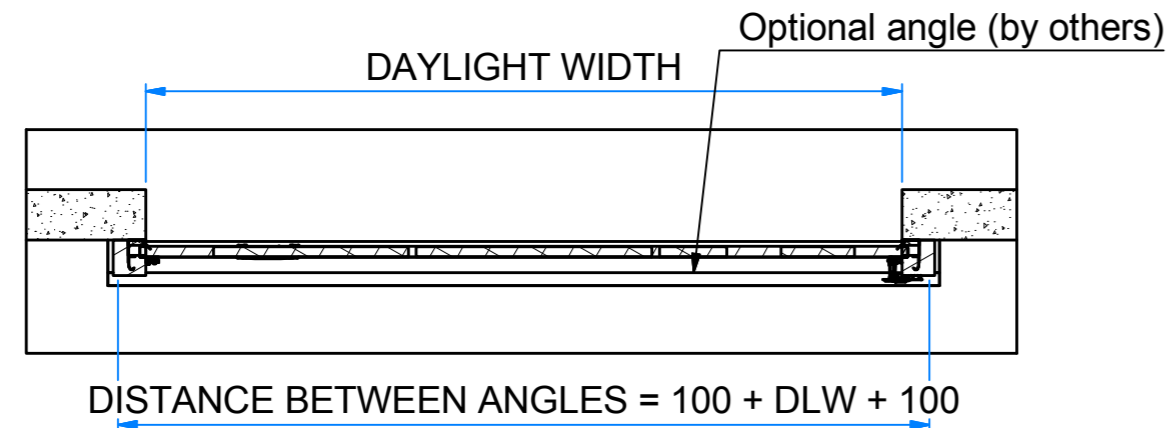
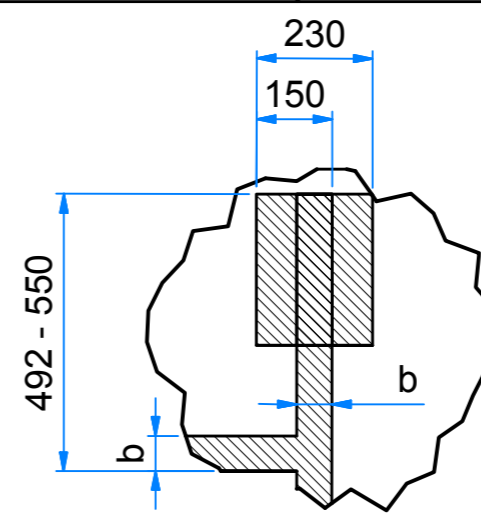
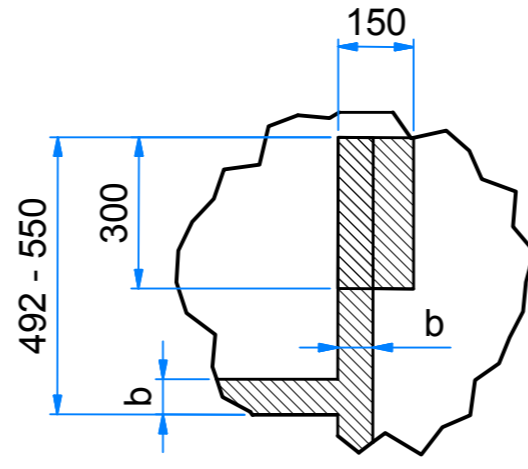
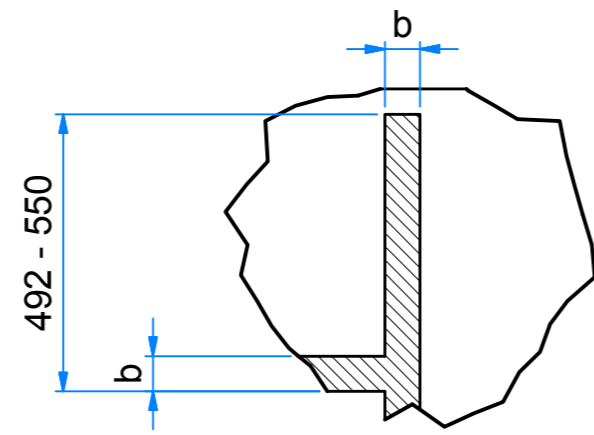


This drawing will remain our property. The drawing must not without our knowledge, neither in original or any altered shape, be copied or multiplied, shown or used for production. Transgression will be prosecuted according to existing law.



R-R ( 1 : 15 )



Needed > 200 kg Left and Right

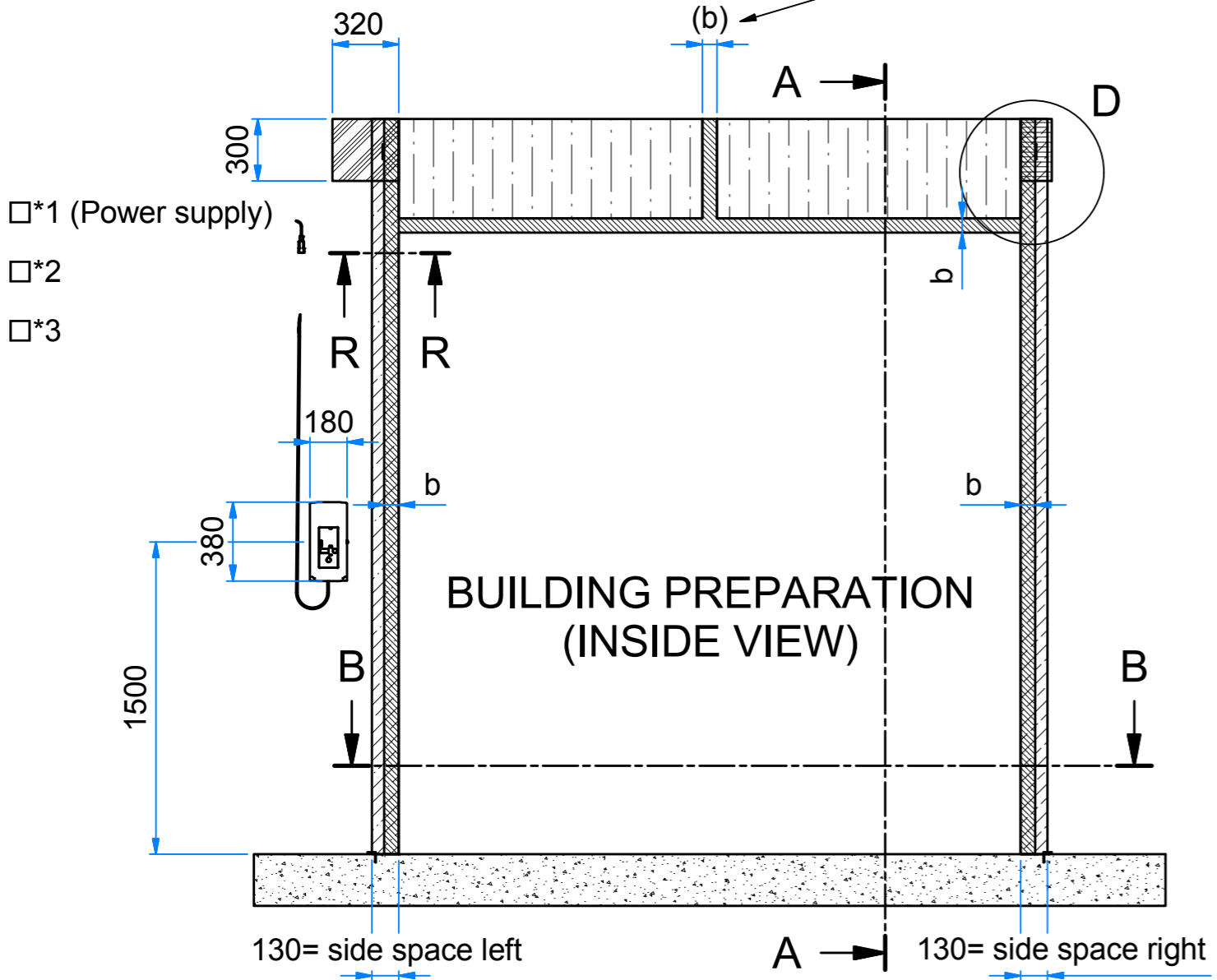
Needed > 200 kg and < 400 kg Left and Right (for outhor support Bearing)

Needed > 500 kg Left and Right

D ( 1 : 15 )

B-B ( 1 : 30 )

Needed for Center Support Center Support is always required when daylight width > 3000 mm

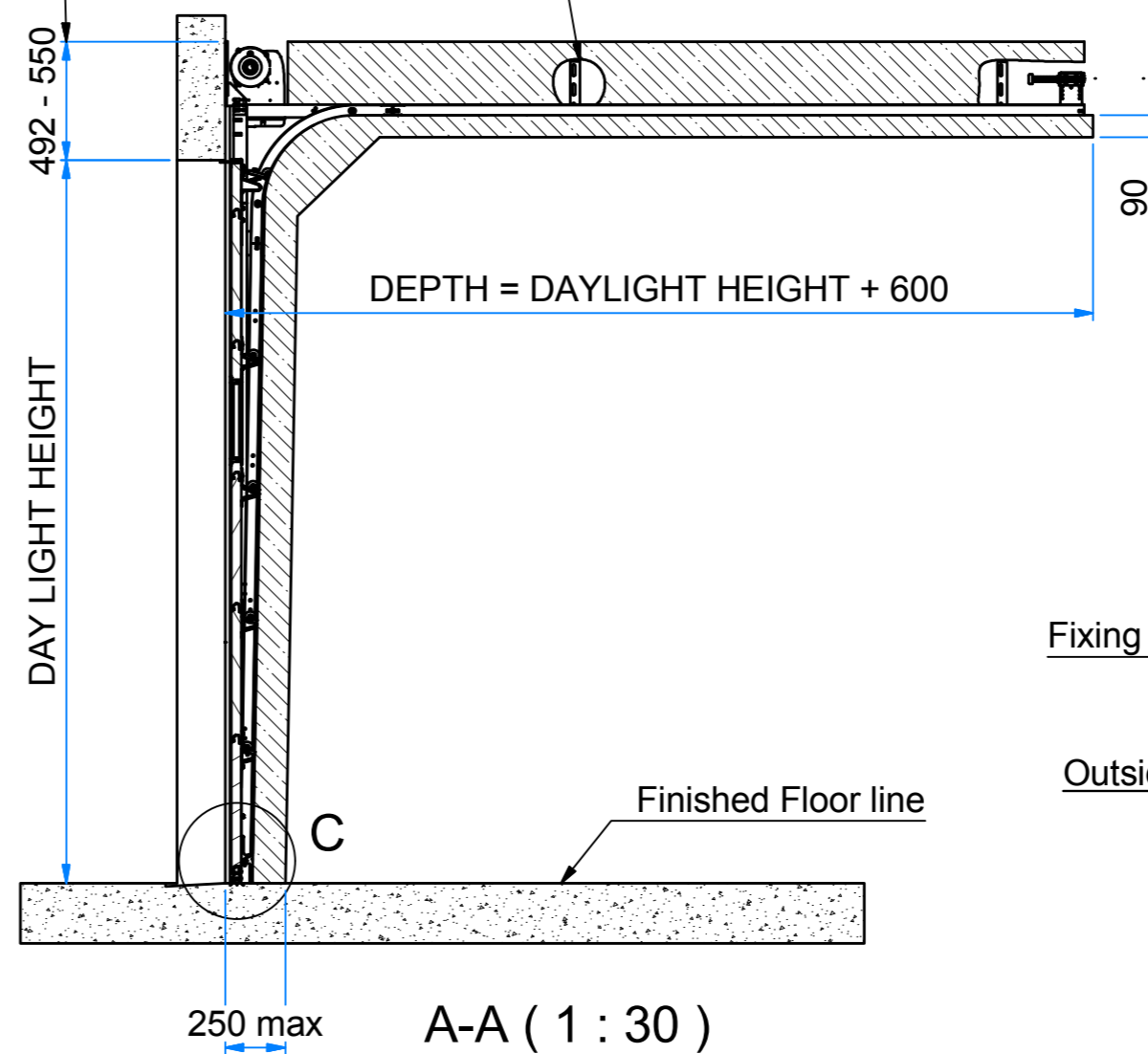


- \*1 (Power supply)
- \*2
- \*3

DRUMTYPE	H
17/3	492
10/5	492
7/5	550
12/7	550
7/7	550

NB; Installation areas in to the ceiling is not included in the commitment

Required headroom Normally



A-A ( 1 : 30 )

Installation frame has to be securely fixed to the building

Installation frame		
Material	Width b (minimum)	
Steel	70 mm t > 2 mm	<input type="checkbox"/>
Wood	70 mm t > 100 mm	<input type="checkbox"/>
Stone/Concrete can also be used to form the opening	t > 100 mm t = Material thickness	<input type="checkbox"/>

Free space for the door above the opening, required for the whole marked area above the opening

Free side space

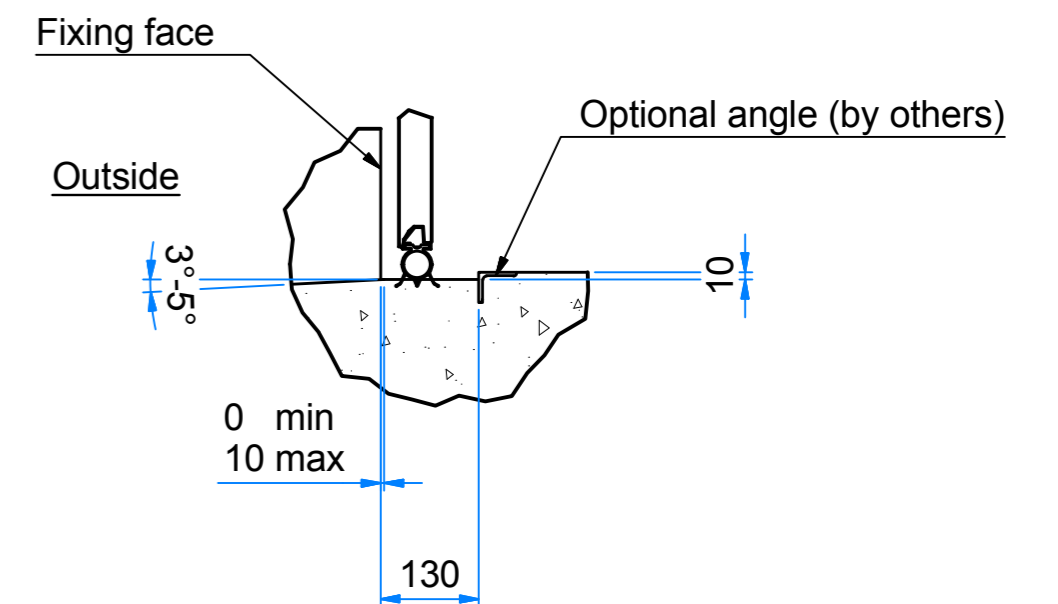
Only needed by electrical operator

Required space within the building from the installation frame

\*Power supply for operator

- 1) Alternative 1 (CDM9)
  - Phase, 230V 10 amp (cee wall socket) to be located within 0,5 m from the operator (by others)
- 2) Alternative 2 (CDM9)
  - Phase, 230 V 10amp (max) isolator (by others) adjacent to the control unit

Note; We do not recommend a level threshold through the door opening in order to reduce possible water ingress (not for docking doors)



THRESHOLD DETAIL C ( 1 : 10 )

Contact									
Pos	Quantity	Day light width	Day light height	Headroom	Depth	Side space left	Side space right	Track angle	Lintel Offset
								°(deg)	None <input type="checkbox"/> 40 mm <input type="checkbox"/> 60 mm <input type="checkbox"/>

Quote / Order Number		Project:		Notes:					
Date									
Drawn by									
Rev.	No.	AN No.	Revision	Date	Drawn	Appr.			

Drawn TV	Appr. PD	Dimensions without specified tolerances refer to: Valid at date of latest rev.	Scale 	File 	Size A2
<b>ASSA ABLOY</b> <small>ASSA ABLOY Entrance Systems</small>		SLB ARCHITECT/BUILDING PREPARATION (OPERATOR LEFT)			
		Replaces		Status 9561	Date 2016-01-21
		Drawing No. K067902		Rev.	