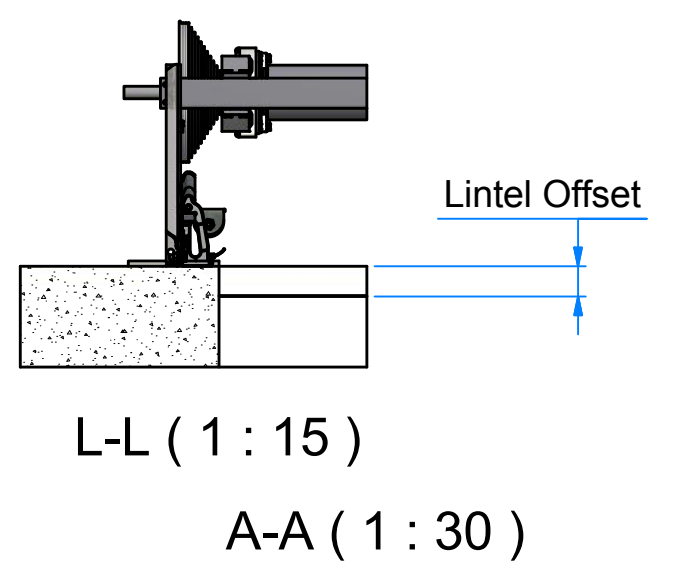
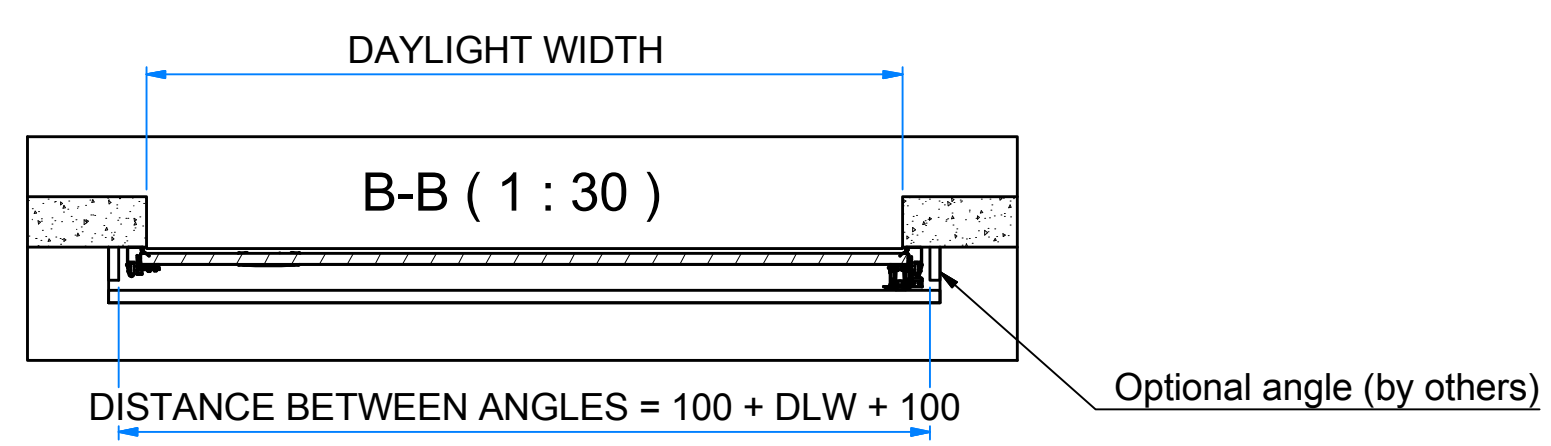


This drawing will remain our property. The drawing must not, without our knowledge, neither in original or any altered shape, be copied or multiplied, shown or used for production. Transgression will be prosecuted according to existing law.



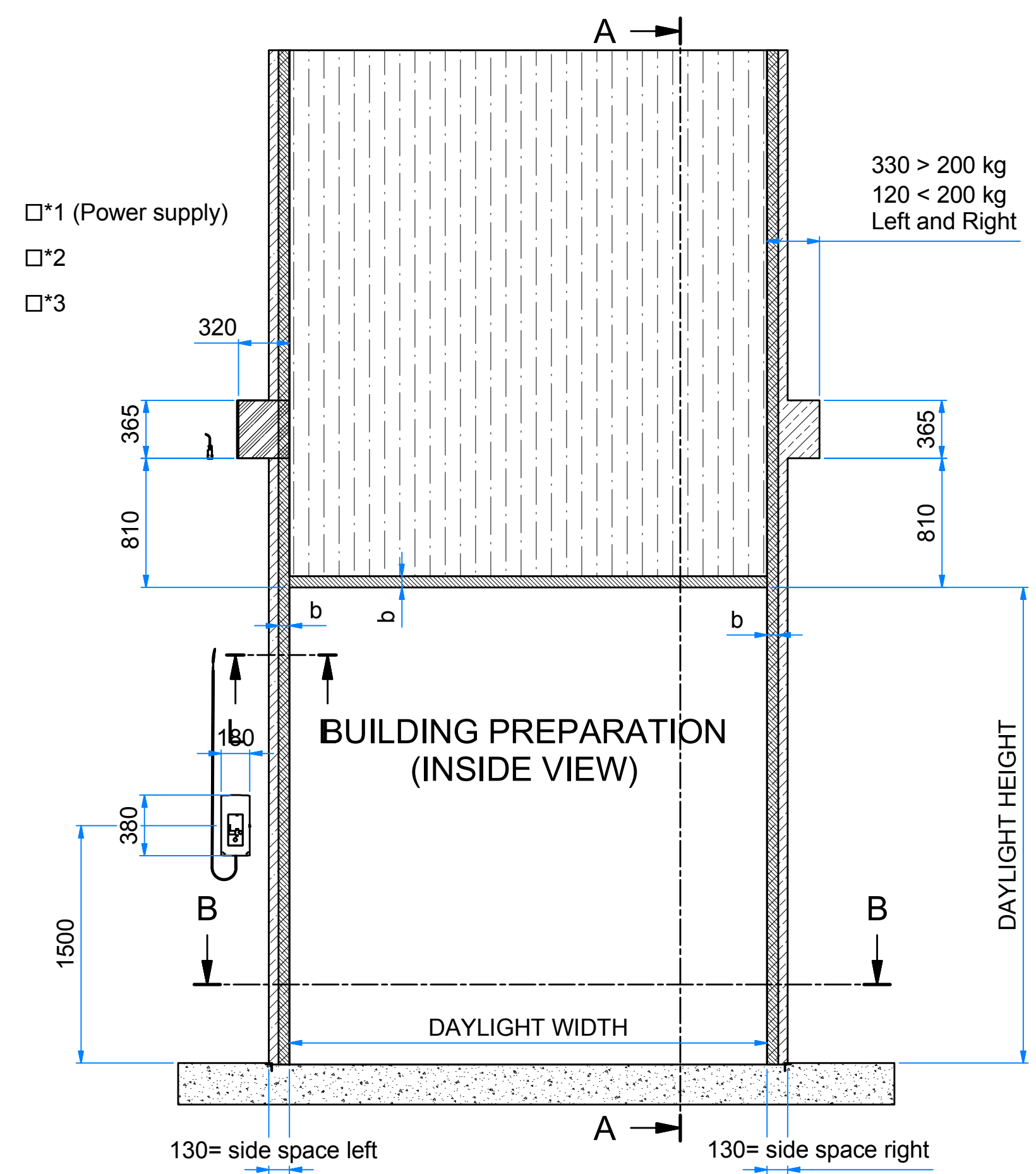
Installation frame has to be securely fixed to the building

Installation frame		
Material	Width b (minimum)	
Steel	70 mm t > 2 mm	<input type="checkbox"/>
Wood	70 mm t > 100 mm	<input type="checkbox"/>
Stone/Concrete	t > 100 mm	<input type="checkbox"/>
can also be used to form the opening		t = Material Thickness

- Free space for the door above the opening, required for the whole marked area above the opening
- Free side space
- Needed by electrical operator
- Required space within the building from the installation frame

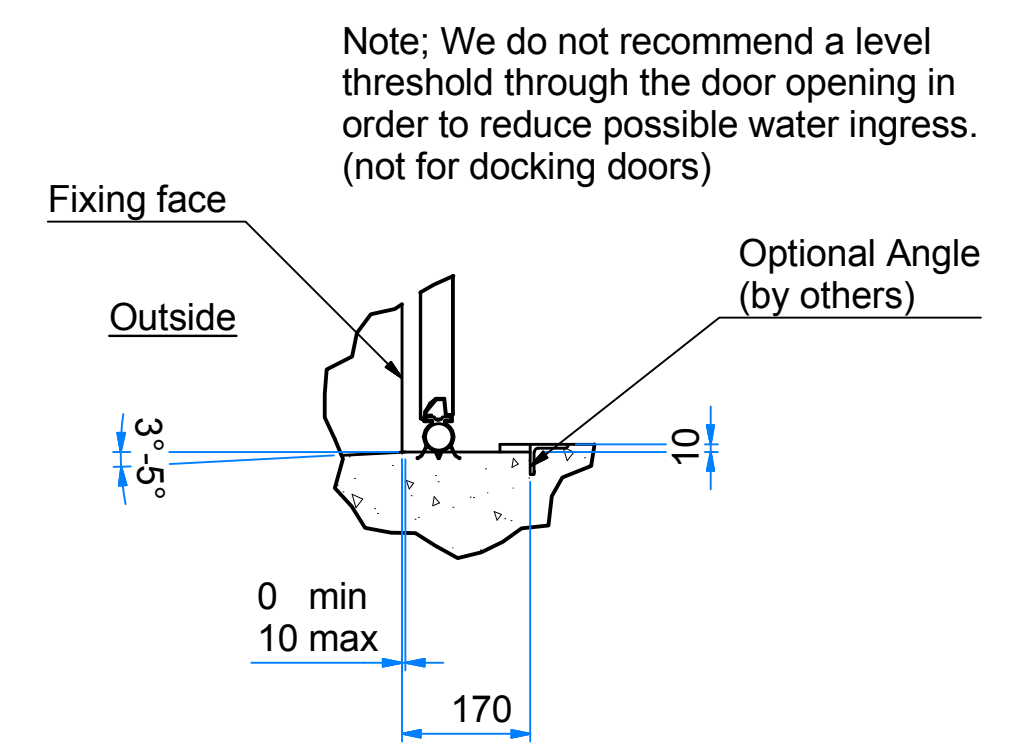
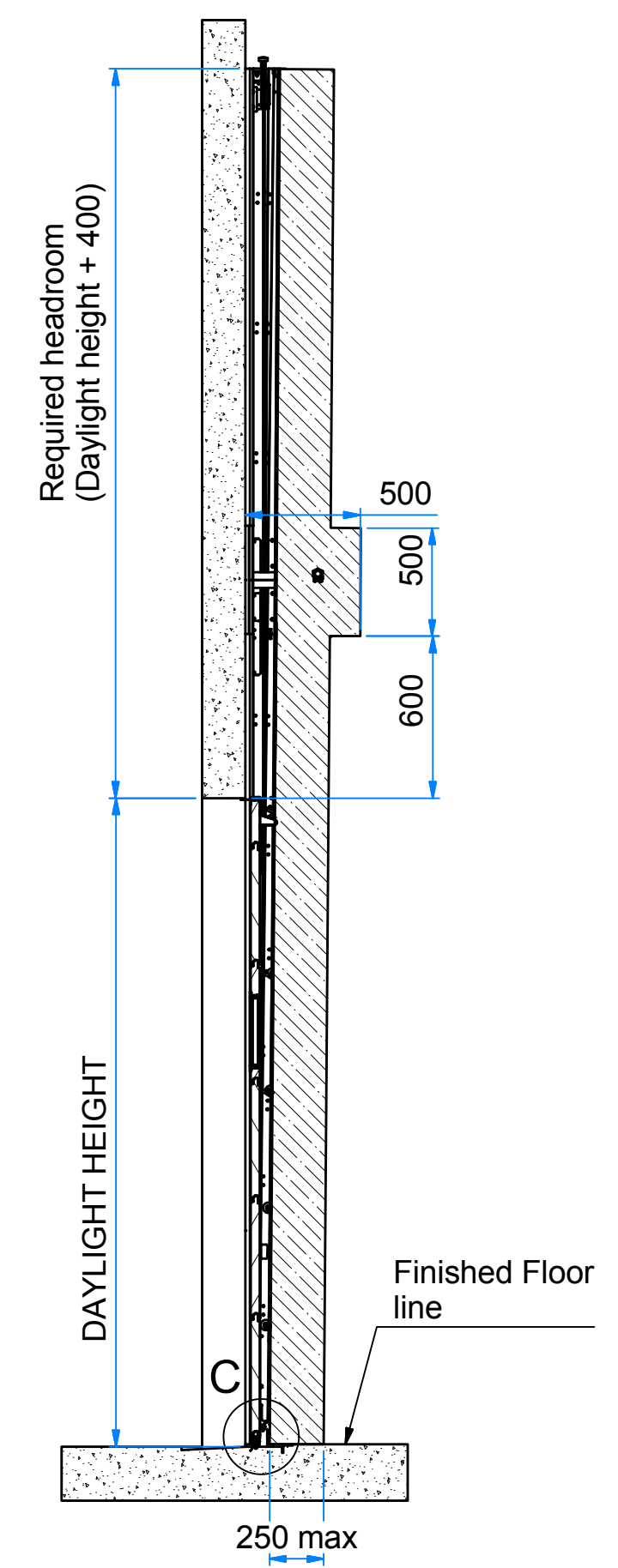
*Power supply for operator

- 1) Alternative 1 (CDM9)
 - Phase, 230V 10 amp (see wall socket) to be located within 0,5 m from the operator (by others)
- 2) Alternative 2 (CDM9)
 - Phase, 230 V 10amp (max) isolator (by others) adjacent to the control unit
- 3) Alternative 3
 - 3-phase, 400 V 10 amp (max) with neutral isolator (by others) adjacent to the control panel



- *1 (Power supply)
- *2
- *3

330 > 200 kg
120 < 200 kg
Left and Right



Note: We do not recommend a level threshold through the door opening in order to reduce possible water ingress. (not for docking doors)

Contact: _____

Pos	Quantity	Day light width	Day light height	Headroom	Depth	Side space left	Side space right	Track angle	Lintel Offset
								°(deg)	None <input type="checkbox"/> 40 mm <input type="checkbox"/> 60 mm <input type="checkbox"/>

Quote / Order Number		Project:		Notes:			
Date							
Drawn by							
Rev.	No.	AN No.	Revision	Date	Drawn	Appr.	

Drawn TV	Appr. PD	Dimensions without specified tolerances refer to: Valid at date of latest rev.	Scale	File	Size A2
		VLT ARCHITECT/BUILDING PREPARATION OPERATOR LEFT	Replaces	Status	AN No.
				9561	2016-01-21
			Drawing No.	Rev.	
			K067909		