

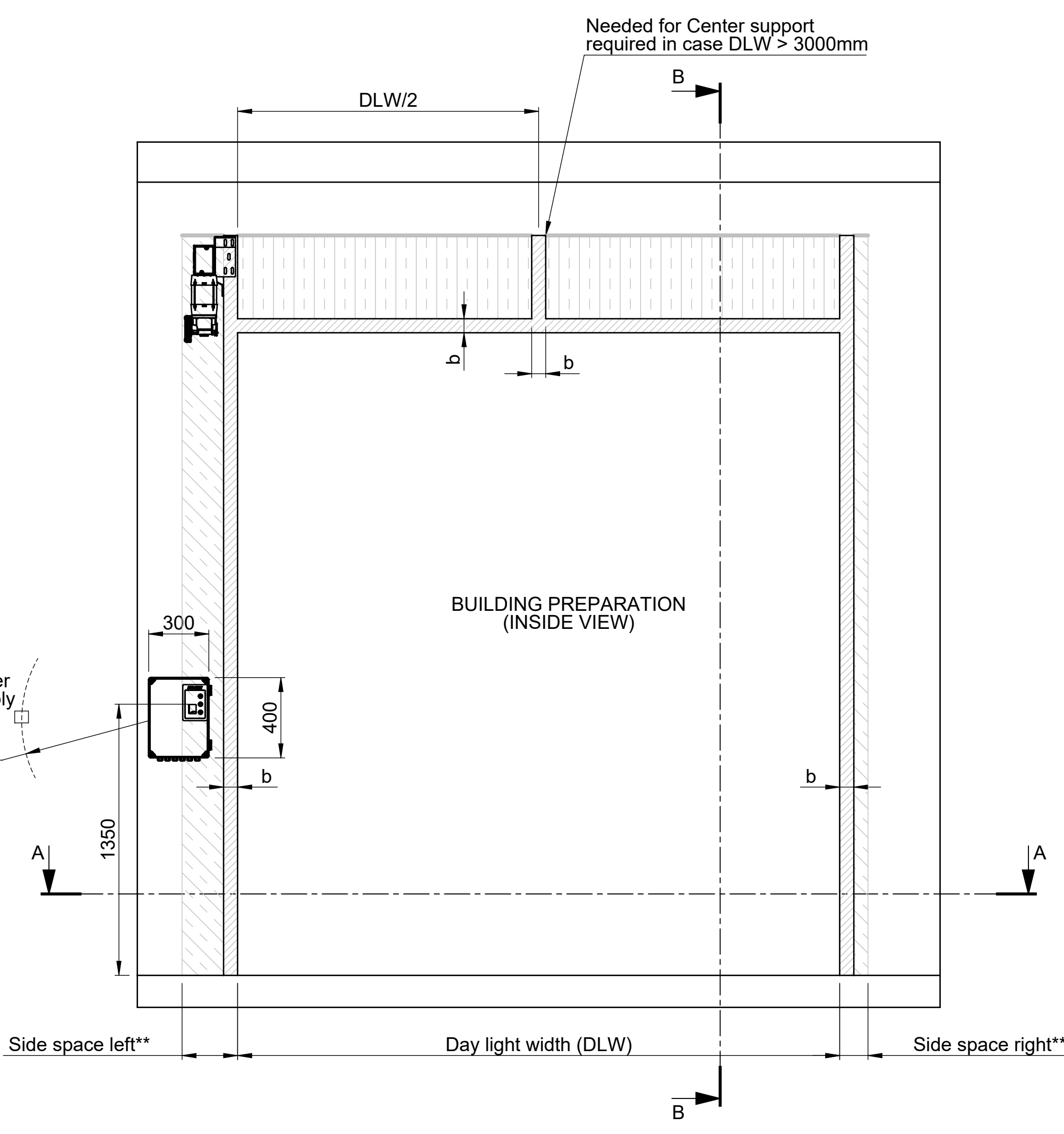
Installation frame, integrated in or securely fixed to the building.

Material	Width b (minimum)	
Steel	70 mm while t > 2mm	<input type="checkbox"/>
Wood	70 mm while t > 100mm	<input type="checkbox"/>
Stone/Concrete	70 mm while t > 100mm	<input type="checkbox"/>

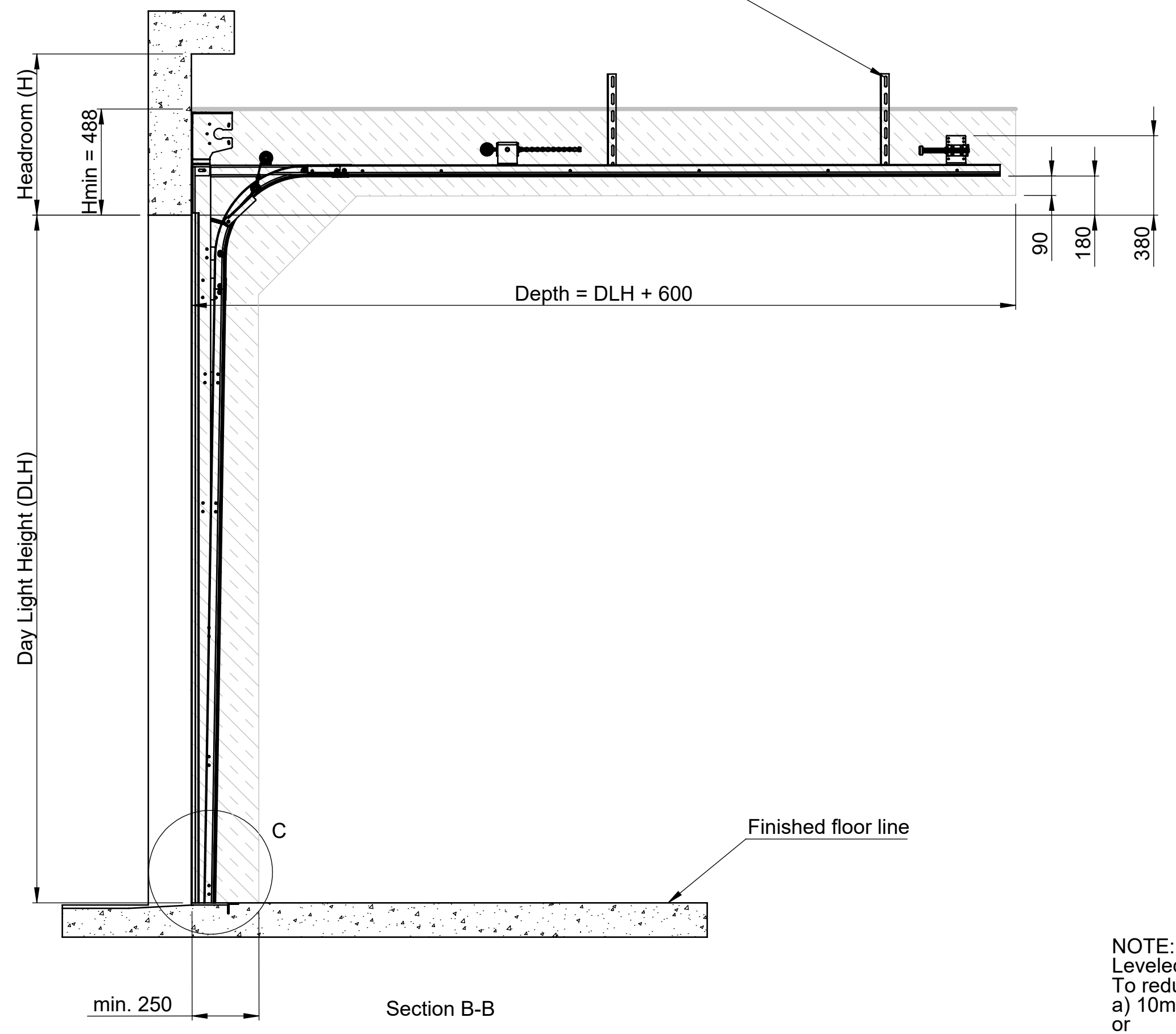
t = Material thickness

Required free space for the door above the opening, includes the whole marked area above the opening.

Required free space around the door guiding.



Note: Installation areas to the ceiling are not included in the commitment.  
 Note: Distance to ceiling shall not be more than 2000mm



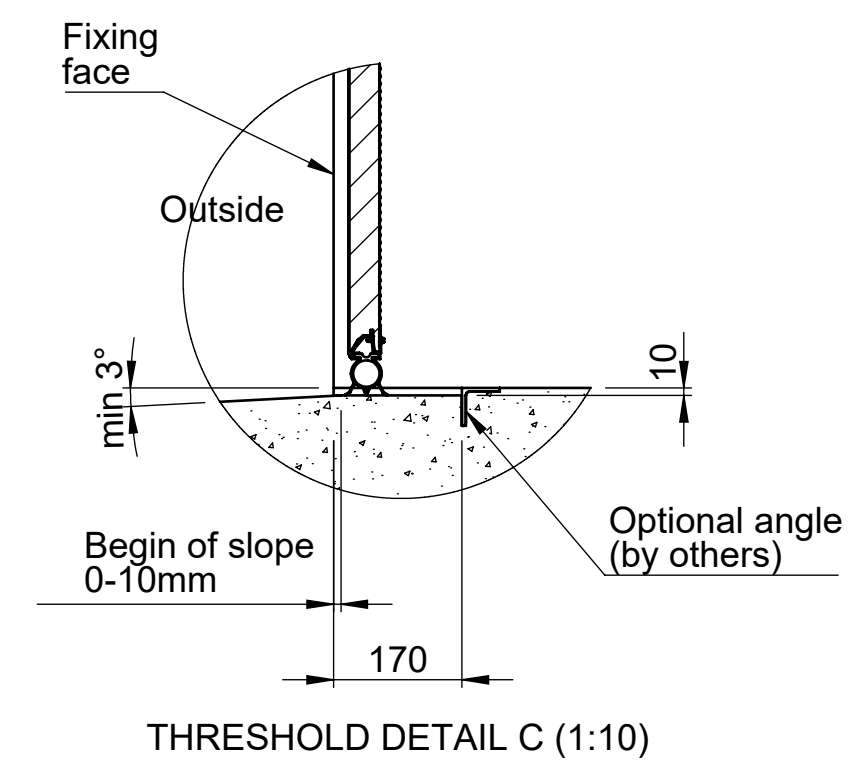
\*Power supply for operator  
 - 3 Phase, 400V 10 amp (CEE wall socket)  
 to be placed at suitable distance from control unit (by others)

\*\* Minimum Side space per side

Operator mounted	Side space
None	135
Operator + ICH	277

ICH: Integrated Chain Hoist on Operator

NOTE:  
 Leveled threshold not recommended  
 To reduce possible water ingress apply:  
 a) 10mm height difference  
 or  
 b) slope min. 3.0°



Contact										
Pos	Quantity	Day light width	Day light height	Headroom	Depth	Side space left	Side space right	Track angle	Operator pos. (R/L)	Control unit pos. (R/L)
								°(deg)		
Quote / Order Number		Project:			Notes:					
Date										
Drawn by										

Rev.	No.	EC nr.	REVISION NOTE	DATE	Rev by	Appr by
1			New item	2021-03-22	josjob	andlof

Volume:	Mass:	Surface area:	Created (YYYY-MM-DD): 2021-01-28	Designed by: josjob	Drawn by: josjob	Scale: 1:20 (A1)	Projection:
ASSA ABLOY			PRODUCT DRAWING			P1160705	
			BUILD. Prep. OH1042DD - SL			D001160705	
						Rev.:	1

This work is copyright and no part may be reproduced, by any process, nor may any other exclusive right be exercised without the permission of ASSA ABLOY.