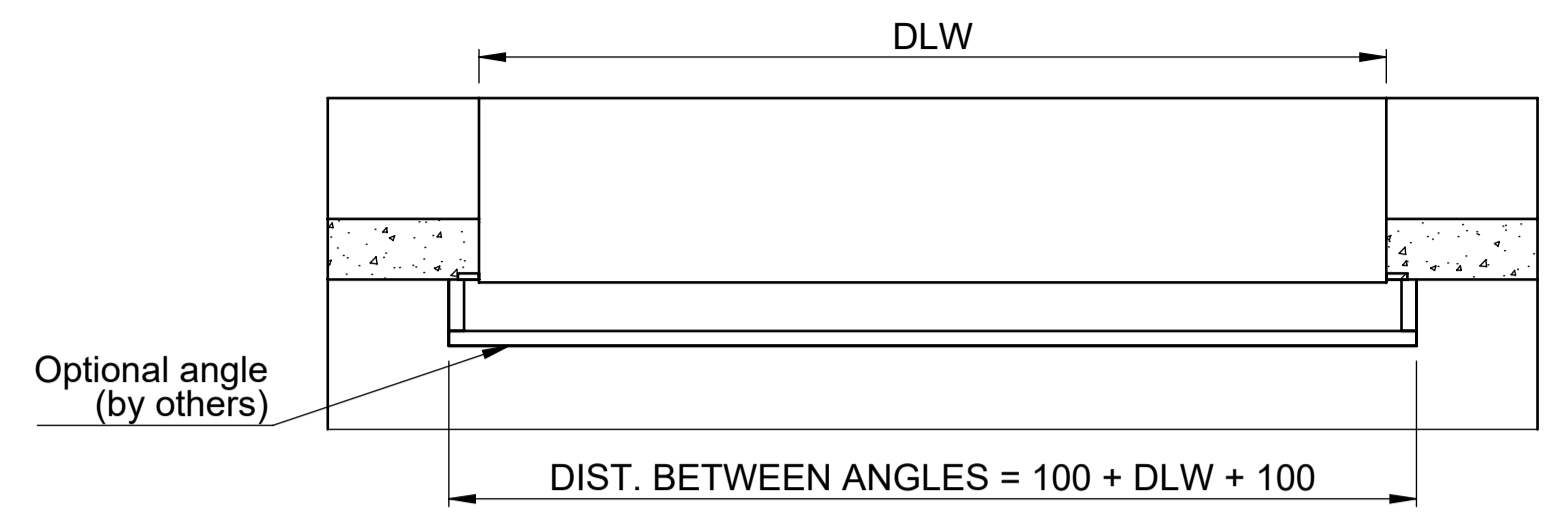


SECTION A-A



Installation frame, integrated in or securely fixed to the building.

| Installation frame | |
|--------------------|-----------------------|
| Material | Width b (minimum) |
| Steel | 70 mm while t > 2mm |
| Wood | 70 mm while t > 100mm |
| Stone/Concrete | 70 mm while t > 100mm |

t = Material thickness

- Required free space for the door above the opening, includes the whole marked area above the opening.
- Required free space around the door guiding.

*Power supply for operator
- 3 Phase, 400V 10 amp (CEE wall socket)
to be placed at suitable distance from control unit (by others)

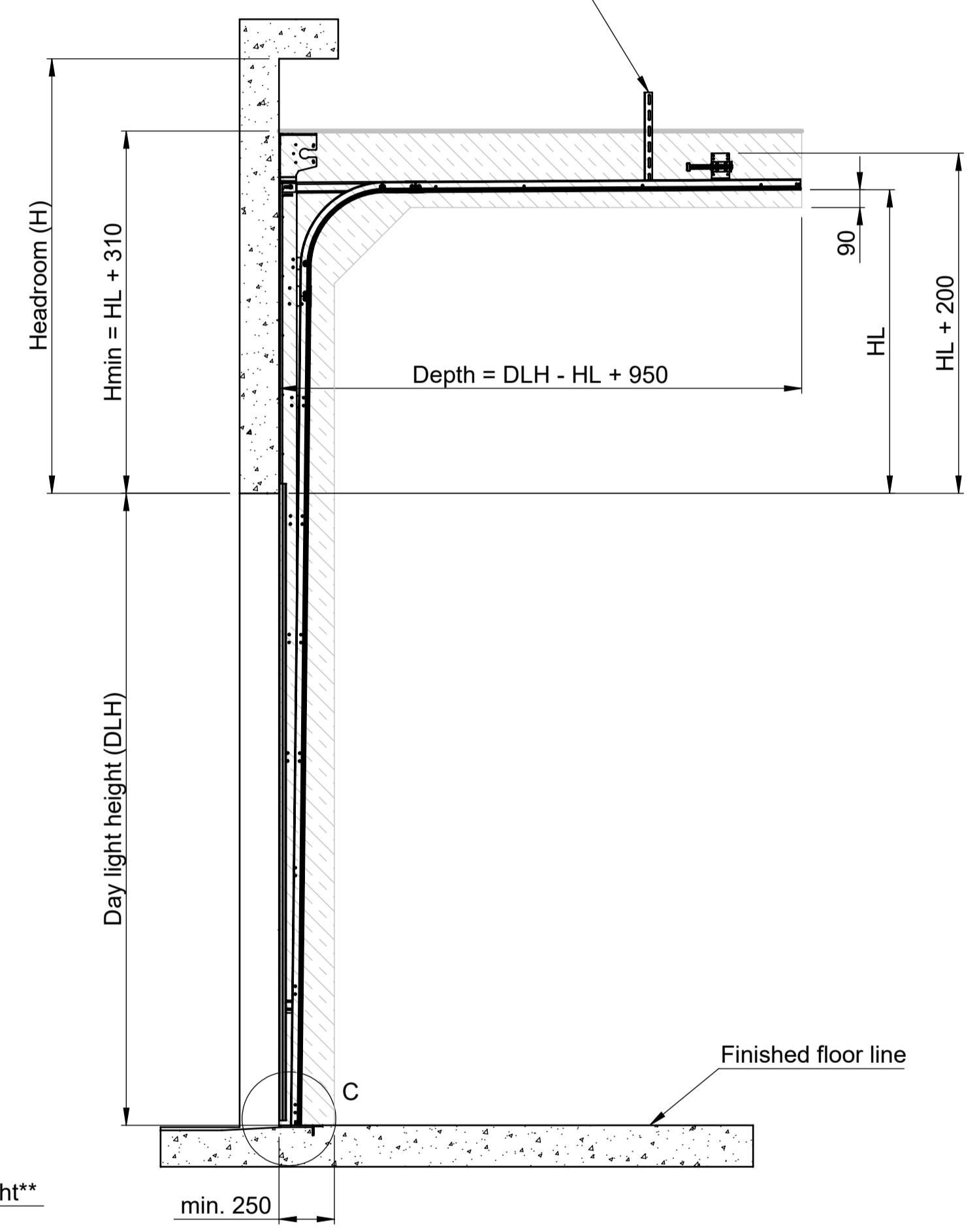
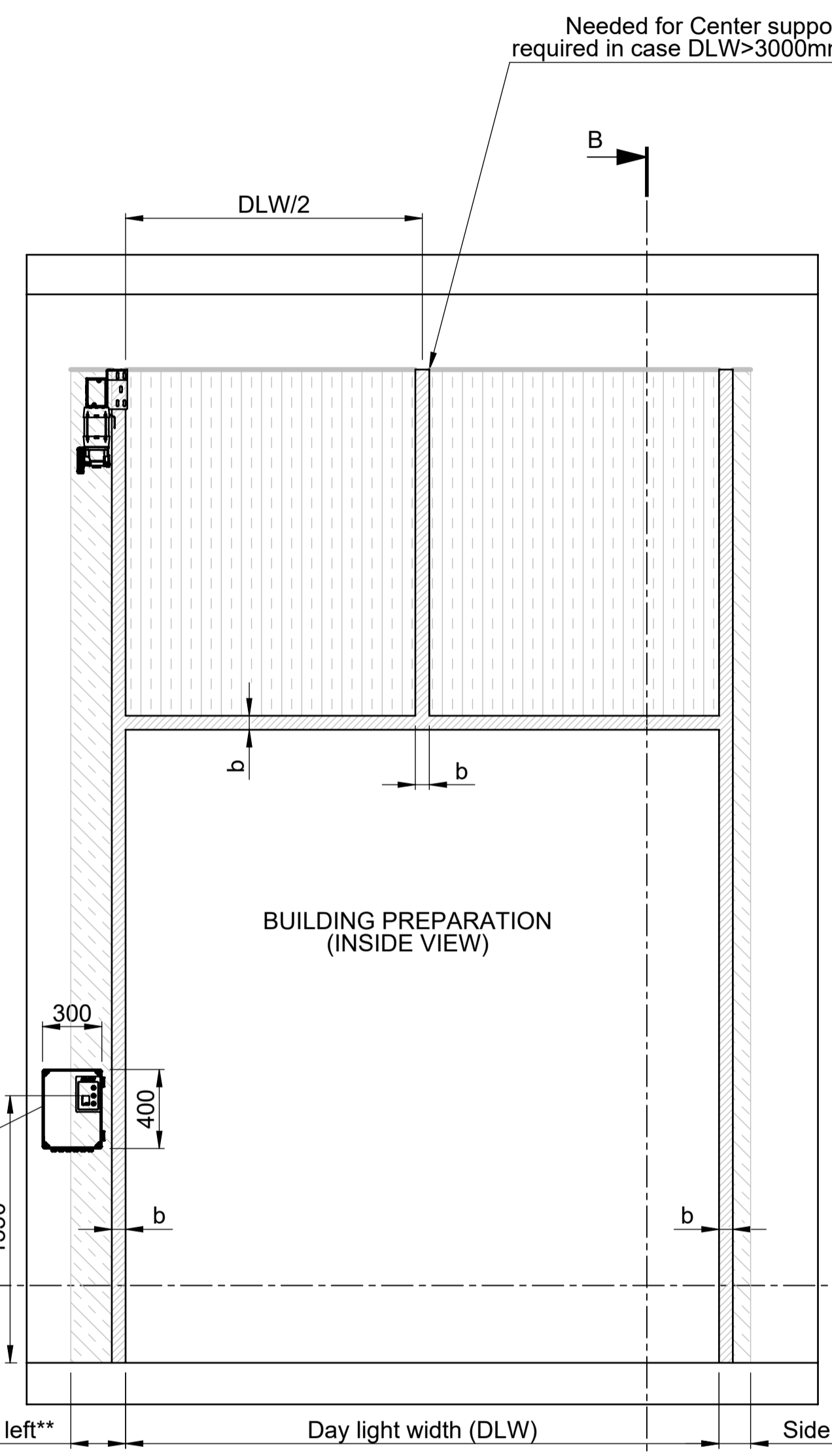
** Minimum Side space per side

| Operator mounted | Side space |
|------------------|------------|
| None | 135 |
| Operator + ICH | 277 |

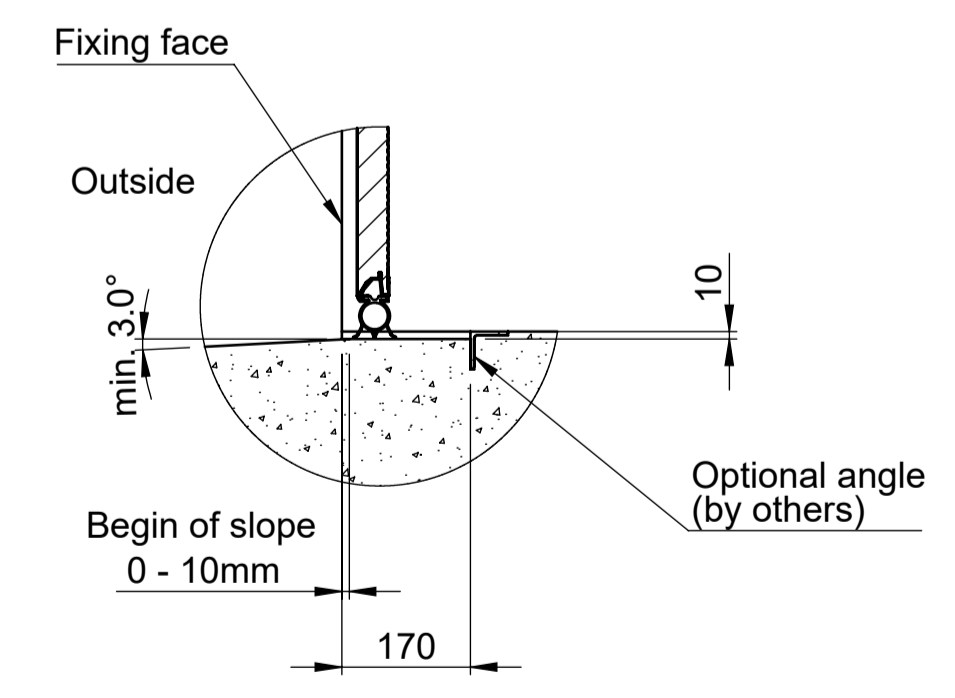
ICH: Integrated Chain Hoist on Operator

Needed for Center support required in case DLW>3000mm

Note: Installation areas to the ceiling are not included in the commitment.
Note: Distance to ceiling shall not be more than 2000mm



NOTE:
Leveled threshold not recommended
To reduce possible water ingress apply:
a) 10mm height difference
or
b) slope min. 3.0°



TRESHHOLD DETAIL C (1:10)

| Contact | | | | | | | | | | |
|----------------------|----------|-----------------|------------------|----------|--------|-----------------|------------------|-----------------------|---------------------|-------------------------|
| Pos | Quantity | Day light width | Day light height | Headroom | Depth | Side space left | Side space right | Track angle °(deg) | Operator pos. (R/L) | Control unit pos. (R/L) |
| | | | | | | | | | | |
| Quote / Order Number | | Project: | | | Notes: | | | | | |
| Date | | | | | | | | | | |
| Drawn by | | | | | | | | | | |

This work is copyright and no part may be reproduced, by any process, nor may any other exclusive right be exercised without the permission of ASSA ABLÖY.

| Rev. | No. | EC nr. | REVISION NOTE | DATE | Rev by | Appr by |
|------|-----|--------|---------------|------|--------|---------|
| | | | | | | |

| | | | | | |
|-----------------------------------|-------|---------------|---|--|---------------------|
| Surface treatment: | | Material: | | General tolerance: ISO 8015 ISO 2768-mH | |
| Volume: | Mass: | Surface area: | Created (YYYY-MM-DD): 2021-01-28 | Designed by: josjob | Drawn by: josjob |
| Scale: 1:25 (A1) | | | Projection: | | |
| ASSA ABLÖY | | | Product drawing Build. Prep. OH1042DD - HL | | |
| Document ID: D001160704 | | | Rev.: 1 | | |