

State when ordering

FW=.....mm
 FH=.....mm

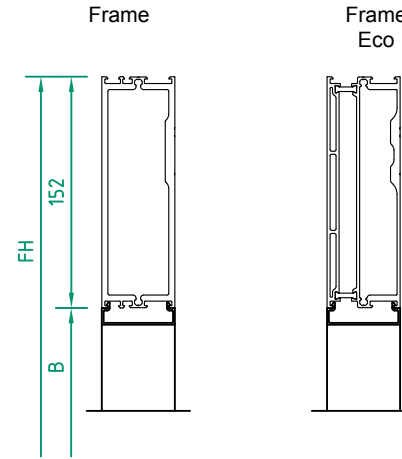
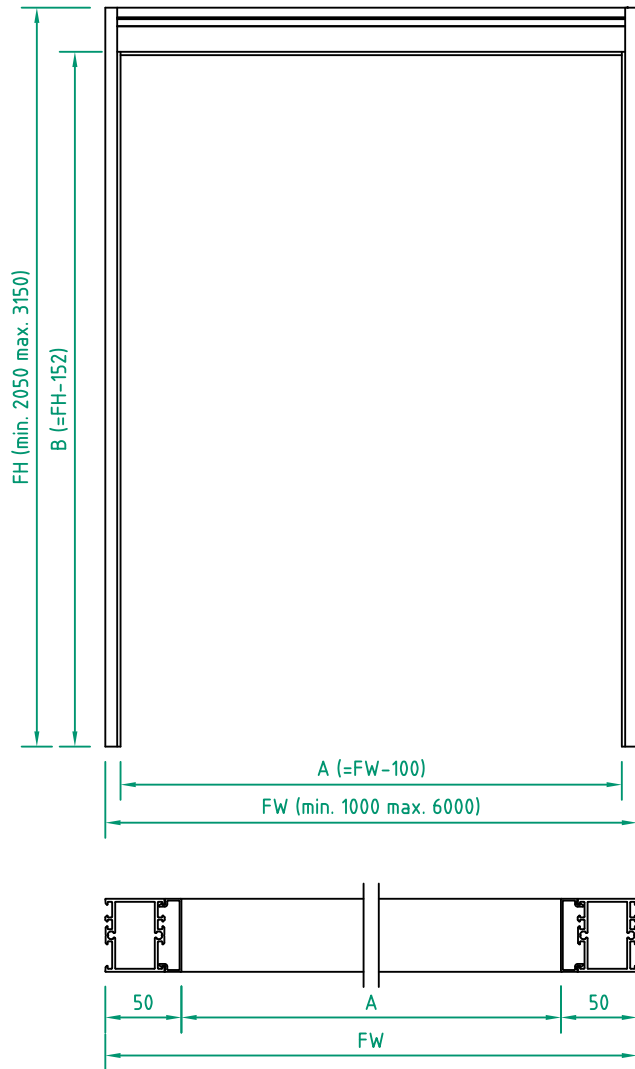
Surface treatment

- Silver anodized
- Special anodized.....
- RAL
- Special powder coating

- Frame
- Frame Eco

Input values to ADS
Frame, Slim, Slim Eco

ADS FW = A
 ADS FH = B



Scale 1:5

Customer: _____

Door id: _____

Project No: _____

Ref: _____

Date: _____

Sign: _____

Automatic Door System
Liner Frame
Frame support unit
Article No. 800293

ASSA ABLOY

4.0 1000454