

Modernization kit ASSA ABLOY M Dock Light

ASSA ABLOY

ASSA ABLOY Entrance Systems

The global leader in
door opening solutions



Inside of a truck lighten up by ASSA ABLOY M Dock Light



Inside of a truck without ASSA ABLOY M Dock Light



Modernize your loading dock with a unique and innovative dock light kit

ASSA ABLOY M Dock Light is the new sustainable option for a more convenient and safer docking.

The ASSA ABLOY M Dock Light is a robust and innovative product which bring powerful light in the truck and around the docking area.

This is a great solution to upgrade your existing loading dock to create safe working conditions and to avoid damages on the vehicle, the equipment or the building during loading and unloading.

ASSA ABLOY M Dock Light can be installed inside or outside in the loadhouse, with or without arm. The product is user friendly and operates easy for a smooth and fast docking process.

With its robust design and material, the ASSA ABLOY Dock Light fits in the most demanding environments and can withstand hard hits from a moving forklift, without being damaged. Thanks to the shatterproof polycarbonate lens cover, it is virtually indestructible.

With the powerful 18 W LED technology, ASSA ABLOY M Dock Light provides an extensive illumination, low energy consumption and a long life time.

Key Benefits



Convenience



Sustainability



Safety

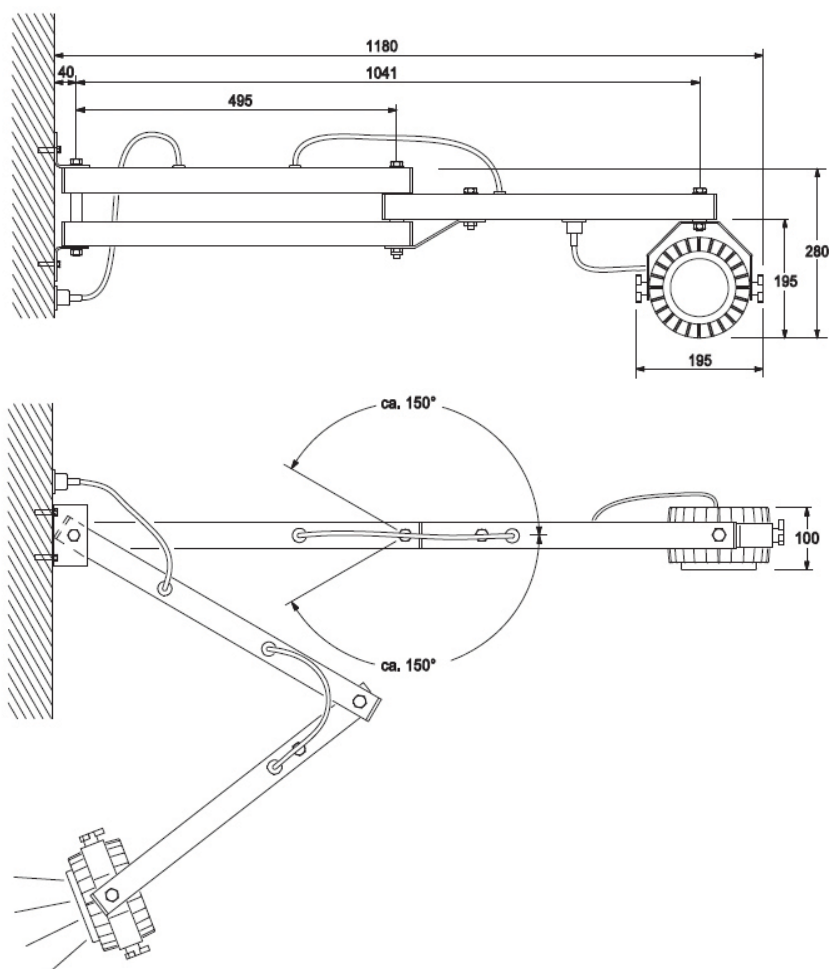
ASSA ABLOY M Dock Light



Technical Data ASSA ABLOY M Dock Light

Technical Data

Life time	Over 60.000 h in typical applications
Power of LED's	18 W
Protection class	IP66
Connection	230 V AC with plug
Cable length	2 m



Available kits for ASSA ABLOY M Dock Light

Name	Type	Remarks
Dock Light HD LED complete	Complete kit	On existing structure. Connected via Euro plug.
Head Dock Light HD LED	Light head only	For installation directly on wall. Connected via junction box (not included).